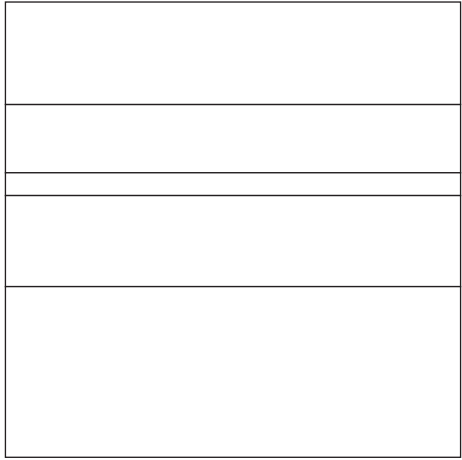
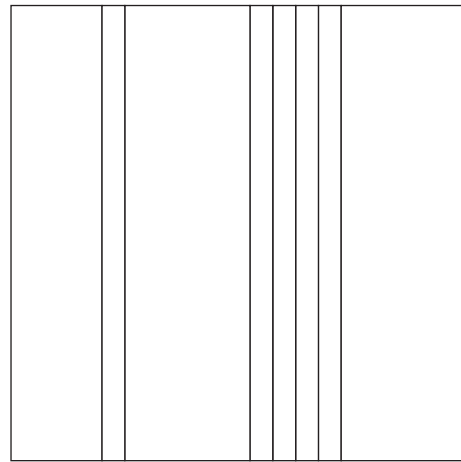
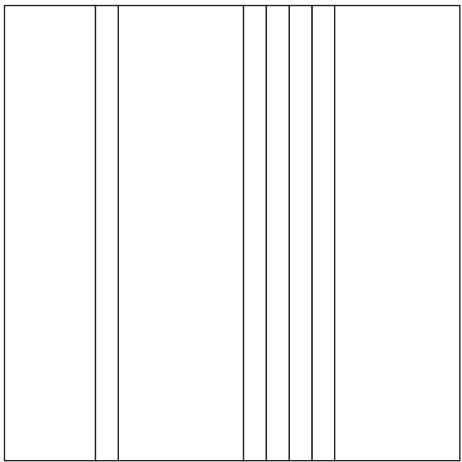


STRIPE 1



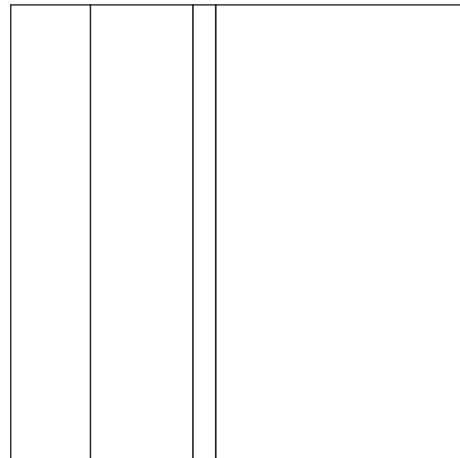
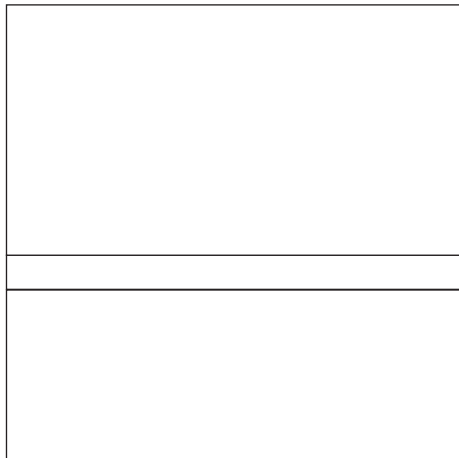
STRIPE 1A
(inverse colours)

STRIPE 2

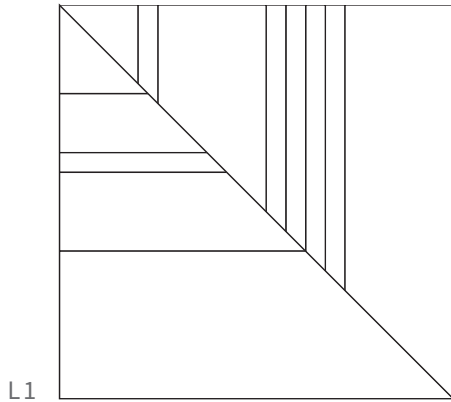


STRIPE 2A
(inverse colours)

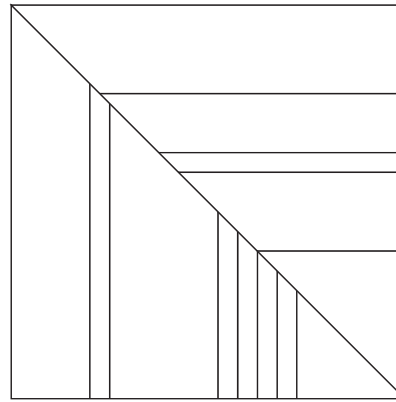
STRIPE 3



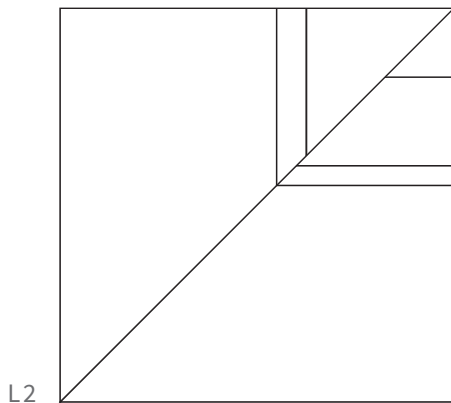
STRIPE 4



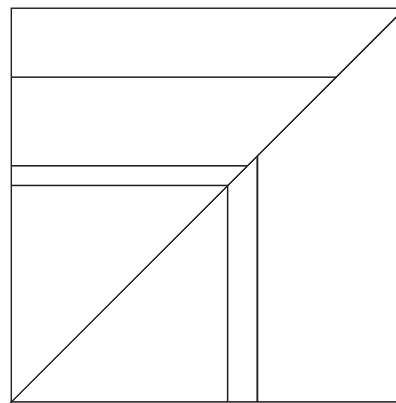
L1



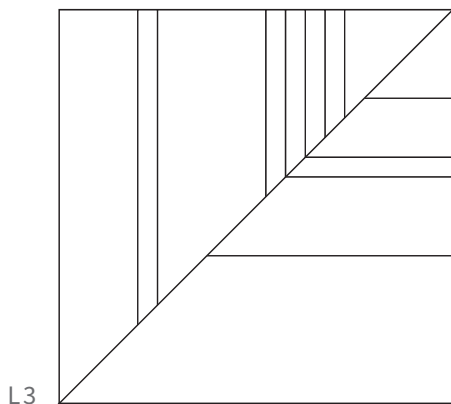
L1A



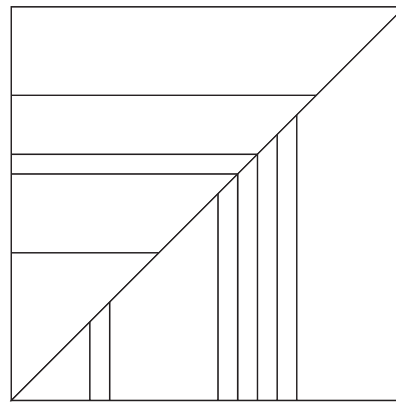
L2



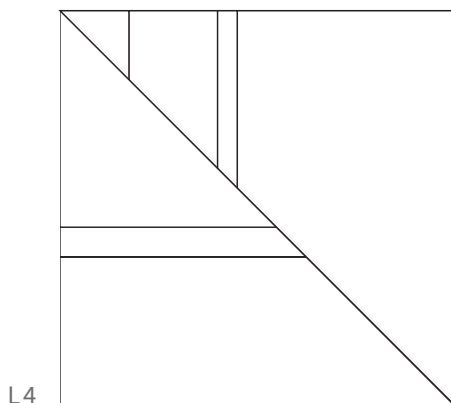
L2A



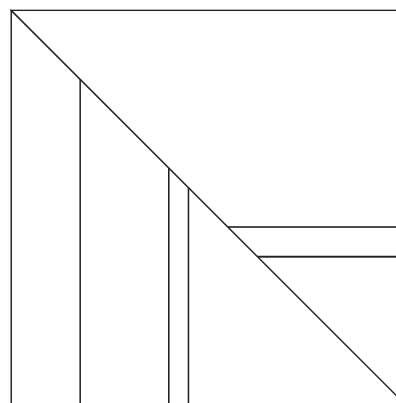
L3



L3A



L4



L4A